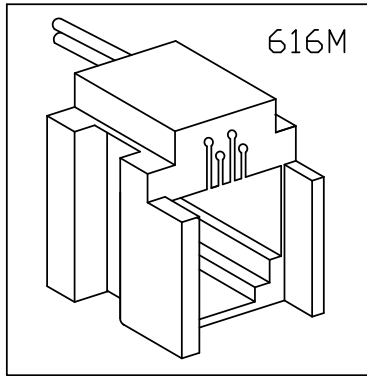
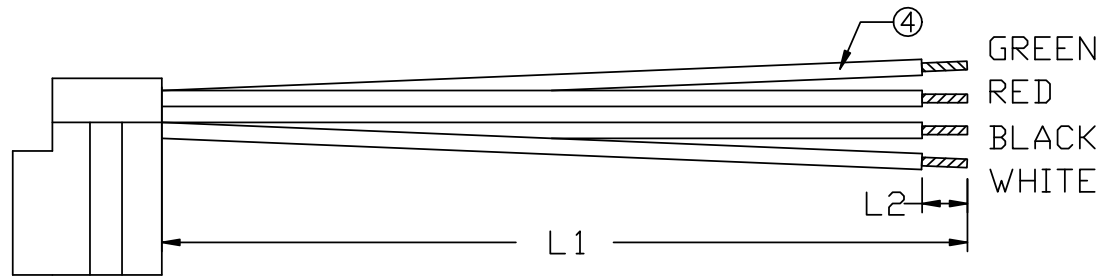
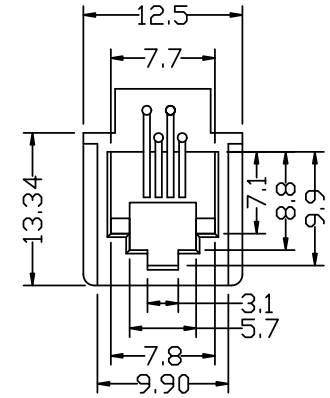
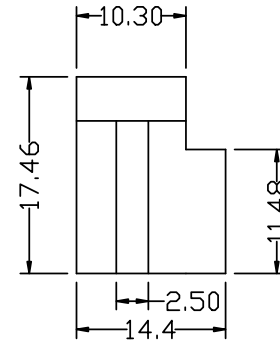
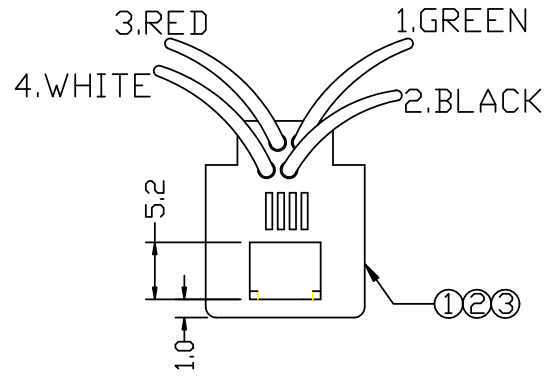


Unit: MM



616M



NOTES:

- 1.JACK:616M ABS UL94V-0 COLOUR:GREY 1PCS
- 2.CONTACT WIRE:DIA 0.46mm PHOSPHOR BRONZE
GOLD PLATING 50u" OVER NICKEL
- 3.TERMINAL:2121T(2066BS-0-1-A) 4PCS
- 4.WIRE:UL1061 26AWG 4PCS



综乙实业有限公司
CHUNG YI ENTERPRISE CO.,LTD
ISO-9001
ISO-14001

Customer	CHUNG YI	Authorized By		第 一 页	共 一 页
P/N #		Approved By			
Model No.	616M WIRED LEAD JACK	Drawing By			