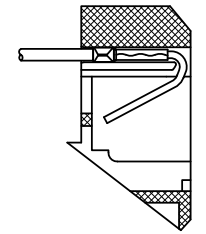
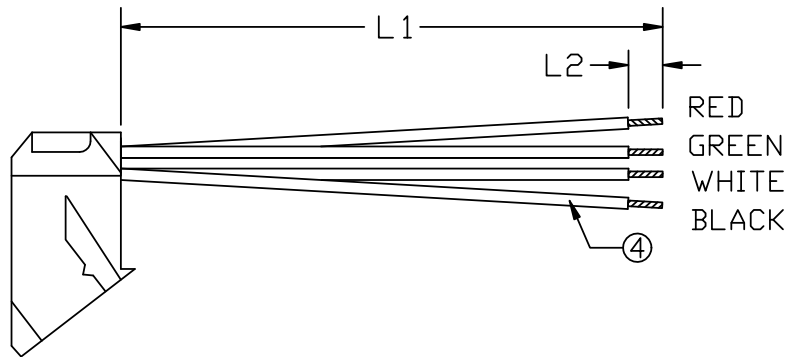
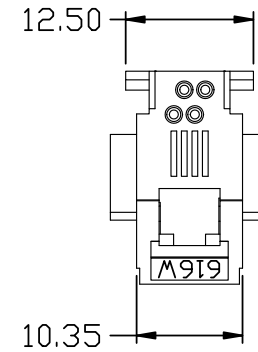
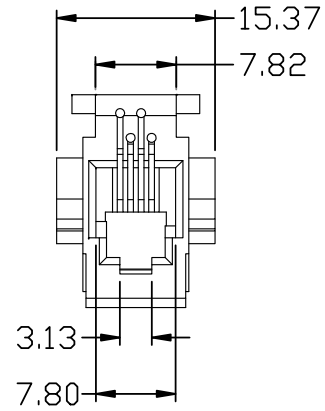
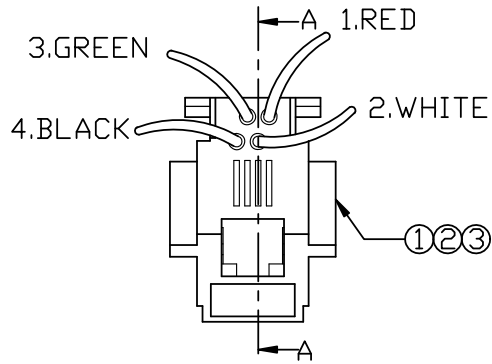
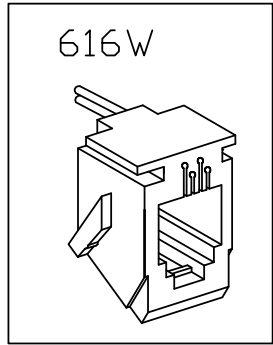


Unit: MM



SECTION A-A

NOTES:

- 1.JACK:616W ABS UL94V-0 COLOUR:GREY 1PCS
- 2.CONTACT WIRE:DIA 0.46mm PHOSPHOR BRONZE  
GOLD PLATING 50u" OVER NICKEL
- 3.TERMINAL:2121T(2066BS-0-1-A) 4PCS
- 4.WIRE:UL1061 26AWG 4PCS



**综乙实业有限公司**  
 CHUNG YI ENTERPRISE CO.,LTD  
 ISO-9001  
 ISO-14001

Customer	CHUNG YI	Authorized By		第 共
P/N #		Approved By		一 一
Model No.	616W WIRED LEAD JACK	Drawing By		页 页