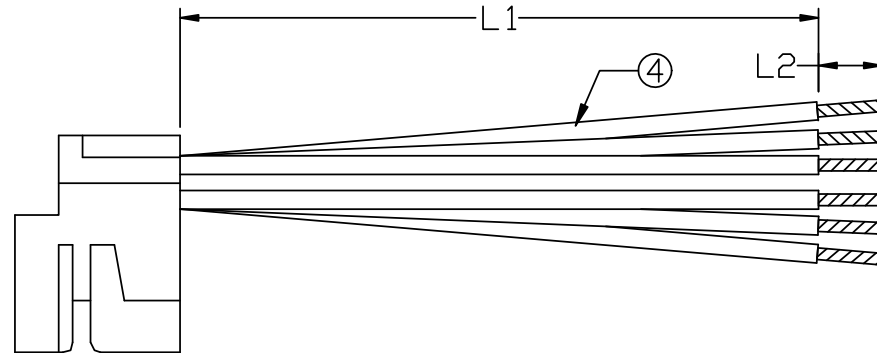
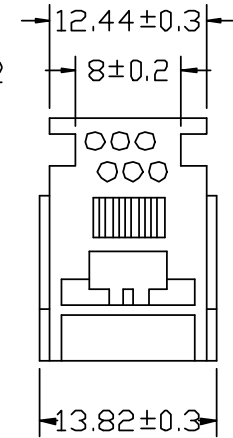
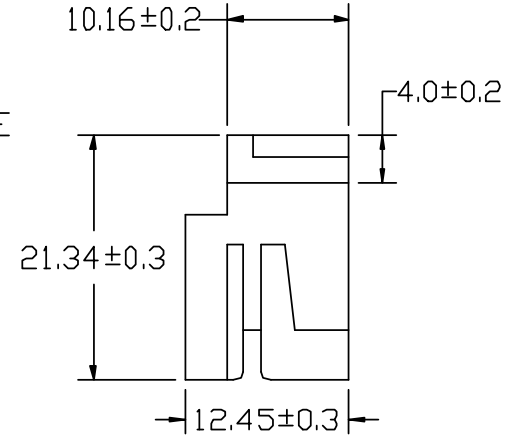
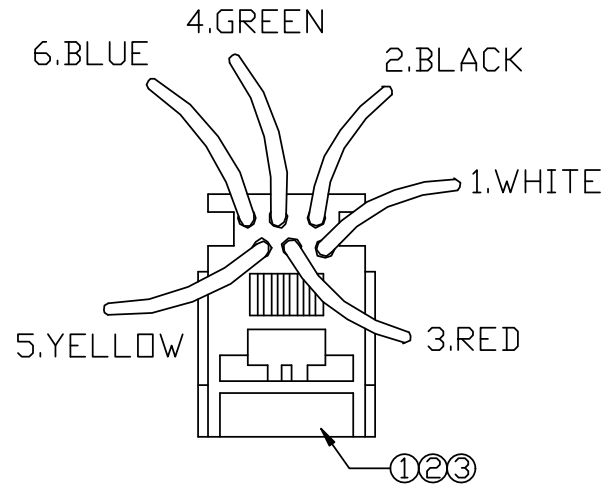
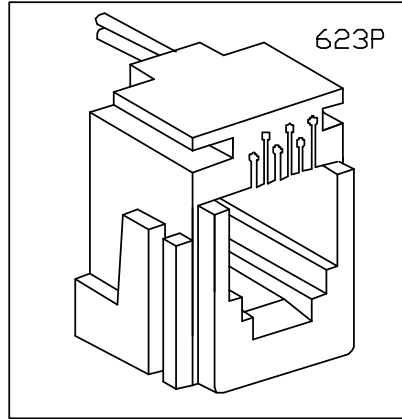


Unit: MM



NOTES:

- 1.JACK:623P ABS UL94V-0 COLOUR:GREY 1PCS
- 2.CONTACT WIRE:DIA 0.46mm PHOSPHOR BRONZE GOLD PLATING 50μ" OVER NICKEL
- 3.TERMINAL:2121T(2066BS-0-1-A) 6PCS
- 4.WIRE:UL1061 26AWG 6PCS



综乙实业有限公司
CHUNG YI ENTERPRISE CO., LTD
ISO-9001
ISO-14001

Customer	CHUNG YI	Authorized By		第 共 一 一 页 页
P/N #		Approved By		
Model No.	623P WIRED LEAD JACK	Drawing By		