

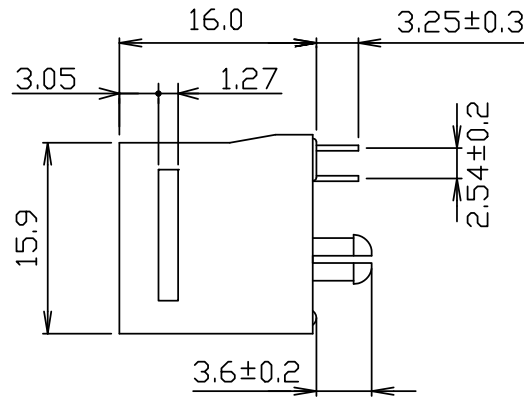
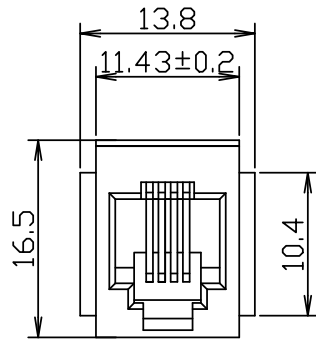
A

B

C

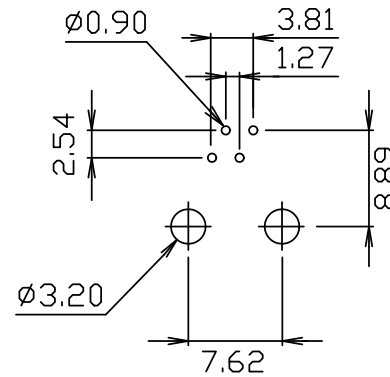
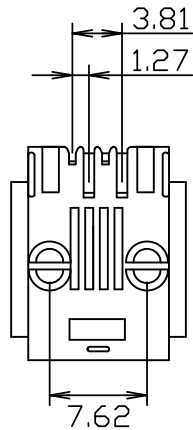
D

Unit: MM



## MATERIALS:

- HOUSING-PBT POLYESTER UL94V-0 MIXED GLASS FIBER. STANDARD COLOR-BLACK
- CONTACTS-0.45mm DIA. ROUND PHOS-BRONZE PLATED WITH HARD GOLD.
- CAVITY CONFIRMS TO FCC RULES AND REGULATION PART 68, SUBPART F.
- RoHS COMPLIANCE



PC Board Layout



**综乙实业有限公司**  
CHUNG YI ENTERPRISE CO., LTD  
ISO-9001  
ISO-14001

Customer

CHUNG YI

Authorized By

P/N #

Approved By

Model No.

9607-4P4C PCB MODULAR JACK

Drawing By

第 共  
一 一  
页 页