

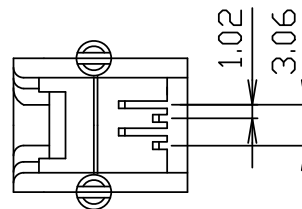
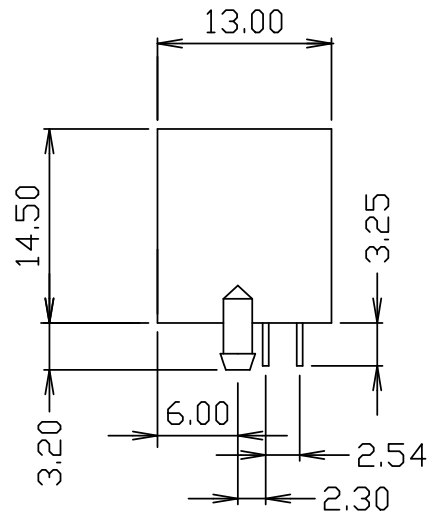
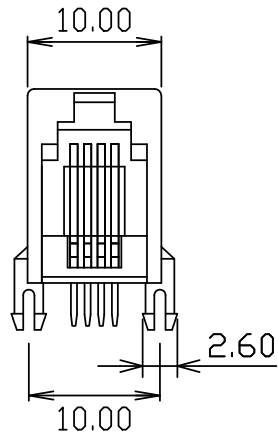
A

B

C

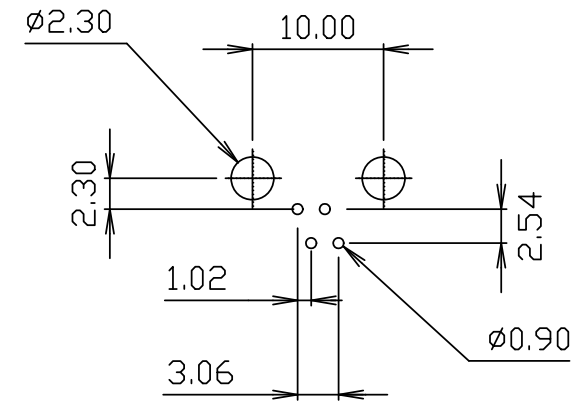
D

Unit: MM



MATERIALS:

- HOUSING-PBT POLYESTER UL94V-0
MIXED GLASS FIBER.
STANDARD COLOR-BLACK
- CONTACTS-0.45mm DIA. ROUND PHOS-BRONZE
PLATED WITH HARD GOLD.
- CAVITY CONFIRMS TO FCC RULES AND
REGULATION PART 68, SUBPART F.
- RoHS COMPLIANCE



PC Board Layout



综乙实业有限公司
CHUNG YI ENTERPRISE CO., LTD
ISO-9001
ISO-14001

Customer

CHUNG YI

Authorized By

P/N #

Approved By

Model No.

9611-4P4C PCB MODULAR JACK

Drawing By

第 共
一 一
页 页