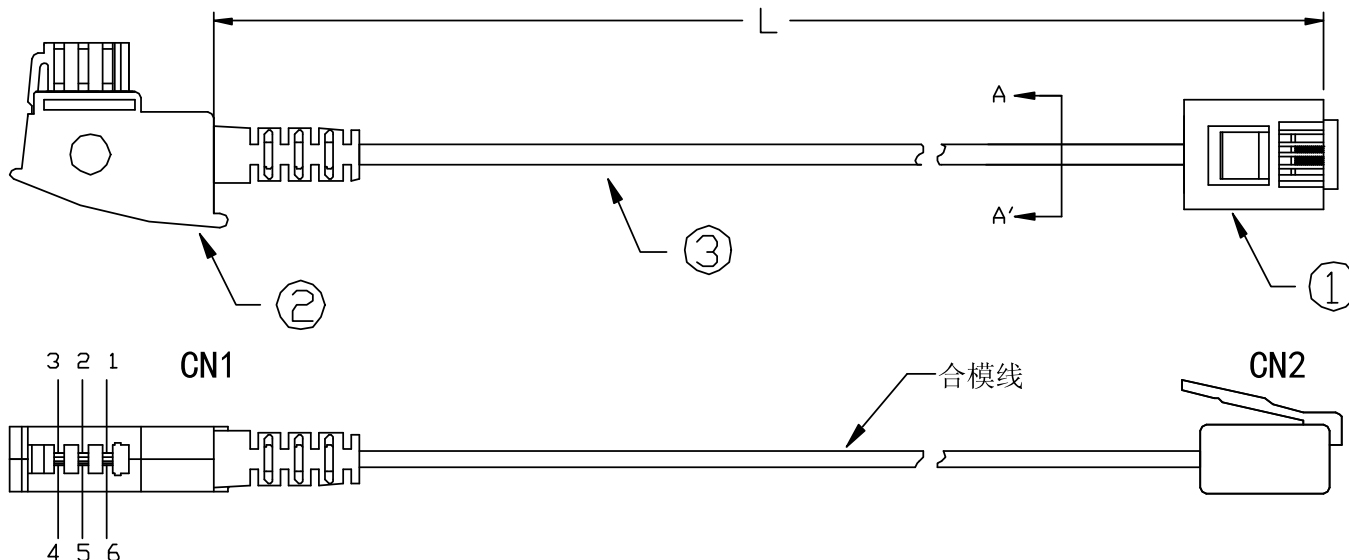
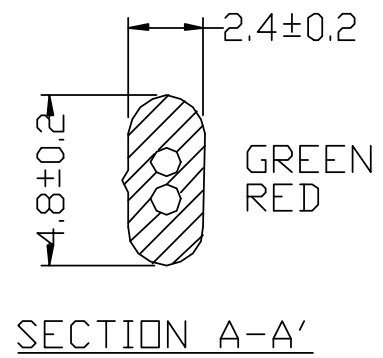


Unit: MM



- 1.VOID
- 2.VOID
- 3.GREEN
- 4.RED
- 5.VOID
- 6.VOID



NOTES:

- 1. PLUG:94V-0,PC 6P2C GOLD PLATED 15U'' 1PCS
- 2. PLUG:TAE-F PLUG,6P2C
- 3. WIRE:UL20251 26AWG(18/0.10BC)*2C 有合模线凹印字
ID:0.95±0.05mm OD:2.4*4.8±0.2mm JACKET:BLACK

Connection table

FROM	WIRE COLOR	TO
CN1-1	RED	CN2-4
CN1-2	GREEN	CN2-3
CN1-3	NC	CN2-1
CN1-4	NC	CN2-2
CN1-5	NC	CN2-5
CN1-6	NC	CN2-6



综乙实业有限公司
CHUNG YI ENTERPRISE CO.,LTD
ISO-9001
ISO-14001

Customer	CHUNG YI
P/N #	
Model No.	TAE-F to 6P2C PLUG CABLE

Authorized By	
Approved By	
Drawing By	